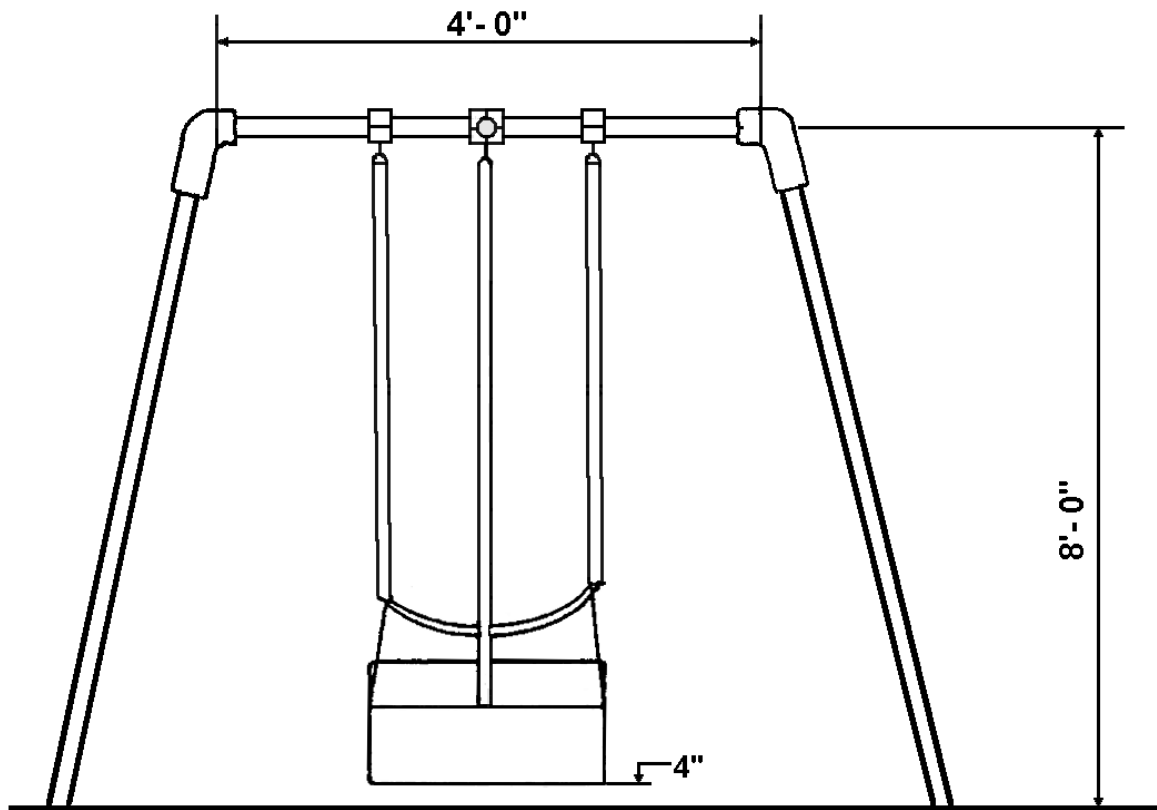


# 381-404H Heavy Duty Wheelchair Swing To-Fro Hangers (Perm)

## IMPORTANT

Please retain this instruction sheet in your files. It contains important replacement parts information. All equipment should be installed in accordance with these instructions. It is important to use and maintain all public playground equipment properly. Playground equipment, which is improperly maintained, can cause serious injury. Periodical inspections, maintenance, repair and/or replacement of damaged parts is necessary for safe operation of equipment and safety of users. Resilient surfacing should be used under all playground equipment. Appropriate publications, available at no charge, from the Consumer Product Safety Commission, include "A Handbook for Public Playground Safety". You can receive your copy by calling 1-301-504-0708.



### PACKING LIST

1	CTN		Hardware Bag
		1	383-414 HD Main Platform/Chain Assembly
1	CTN	1	383-415 HD Back Platform/Chain Assembly
		1	383-416 HD Front Platform/Chain Assembly
2	WF	1	383-511 End Fitting
1	PIPE	1	383-220 Top Rail
4	PIPE	1	583-601A Leg

### HARDWARE BAG

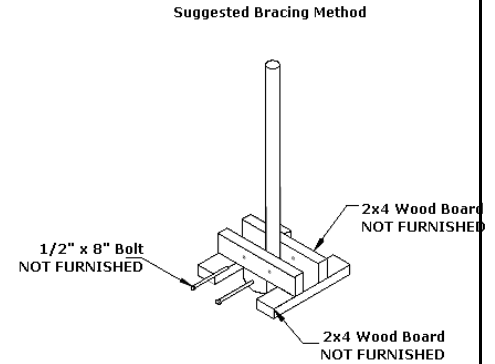
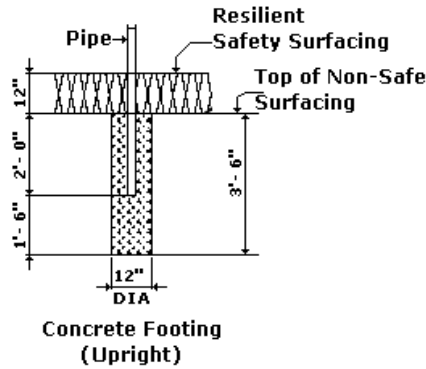
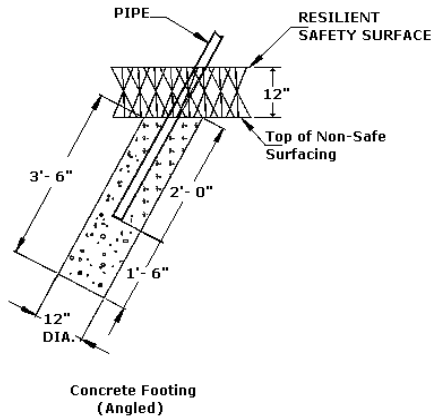
2	585-520	2	3/8" Swing Hangers
6	196-802	1/2" x 1/2"	Socket Set Screw
1	416-400	1/4"	Socket Key
1	805-532		Warning Label
1	805-534		SportsPlay Label
1			Maintenance Checklist

2 CTN	2 WF	5 PIPE	9 TOTAL PCS	WT 232#	CLASS 70
-------	------	--------	-------------	---------	----------

**GENERAL USE/FALL ZONE & FOOTING RECOMMENDATIONS**

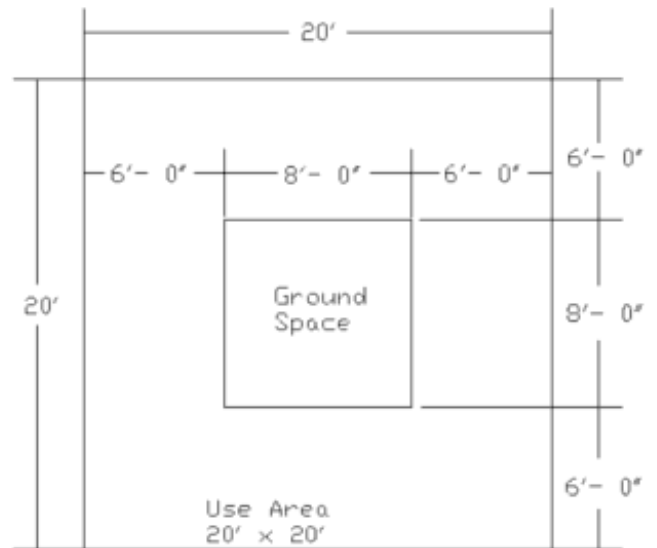
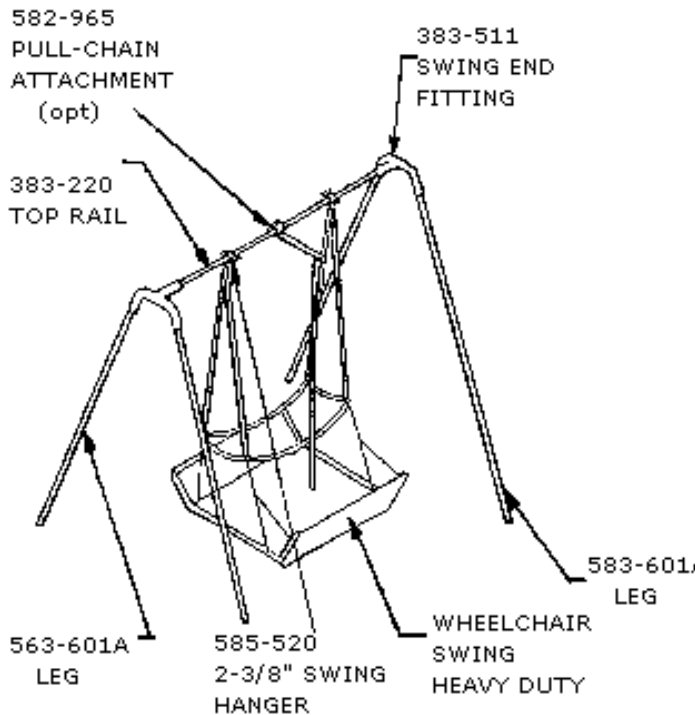
Stationary & Portable equipment - Use/Fall Zones should extend a minimum of 6 feet in all directions from the perimeter of the equipment ground space. This area should be covered with the required amount of resilient safety surfacing material. For some equipment - Use/Fall Zones can overlap. See Consumer Product Safety Commission Guidelines.

Diameter & Depth of footings illustrated are satisfactory in most applications for pipe sizes up to 2 3/8" diameter. Varying soil & climatic conditions may require deeper & heavier footings in some areas. Check local building codes.



\* If resilient surfacing is to be less than 12", then additional pipe should be put in concrete to maintain proper finish grade for equipment.

**USE AREA & FOOTING LAYOUT:**



**GENERAL USE/FALL ZONE & FOOTING RECOMMENDATIONS**

**SINGLE AXIS SWINGS:**

The Use/Fall Zone should extend to the front & rear, a minimum distance of twice the height of the Top Rail above the resilient surfacing material. The Use/Fall Zone to the sides should follow the general recommendation of six feet minimum. This six-foot zone may overlap that of an adjacent swing structure.

**ROTATING SWINGS:**

The Use/Fall Zone should extend in all directions the length of the swing chain plus six feet. The six-foot minimum fall zone from the supporting structure also applies, and may overlap the six-foot zone of an adjacent swing structure.

**GENERAL MAINTENANCE INSTRUCTIONS:**

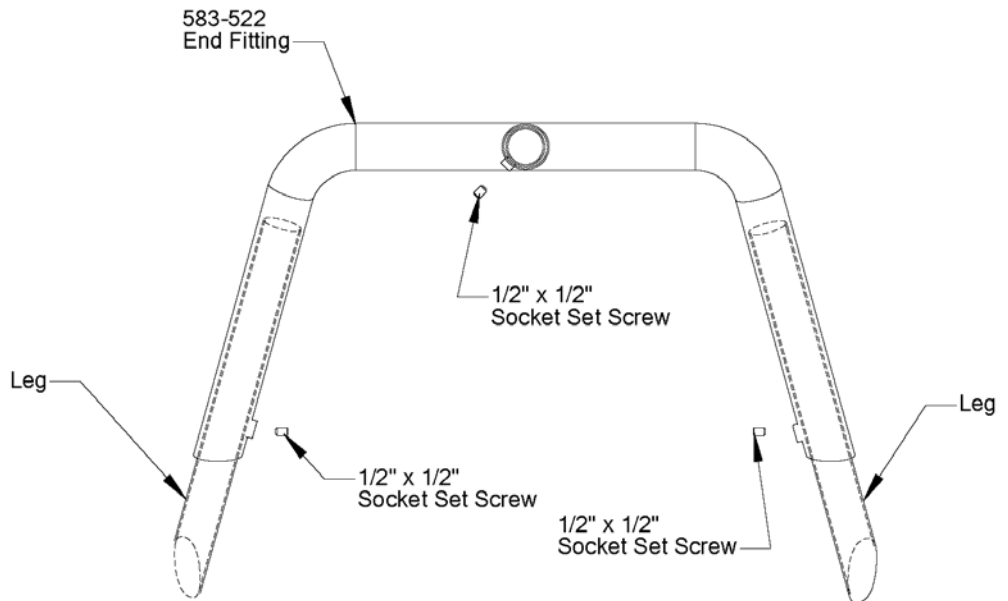
Check MONTHLY for loose bolts, damaged or broken parts. Tighten and/or replace immediately. On swings and any equipment that uses S-Hooks and/or Swing Hangers check the bearing surfaces for wear. Replace any parts that show a reduction of 25% from the original size.

**SPECIFIC ASSEMBLY INSTRUCTIONS:**

**NOTE:** All threaded ends of bolts protruding beyond nuts must be cut off and/or peened to eliminate sharp edges. No more than two threads should extend beyond face of nut. All washers, "T" nuts, and other fastener hardware used on round pipe or tubing must be hammered down to conform to the curved underlying surface to eliminate catch points.

STEP #1: Mark & dig footing holes per SKETCH on page 2.

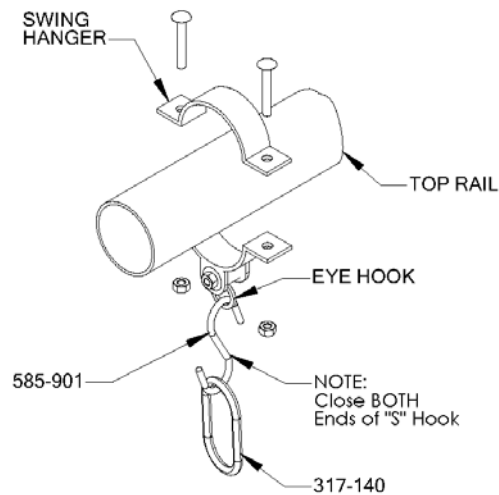
STEP #2: Assemble swing frame on ground. Attach top rail & legs to end fittings.



## 381-404H Heavy Duty Wheelchair Swing To-Fro Hangers (Perm)

Page 4  
Rev 06/2/08

STEP #3: Attach swing hangers & Wheelchair Platform to Frame Assembly.



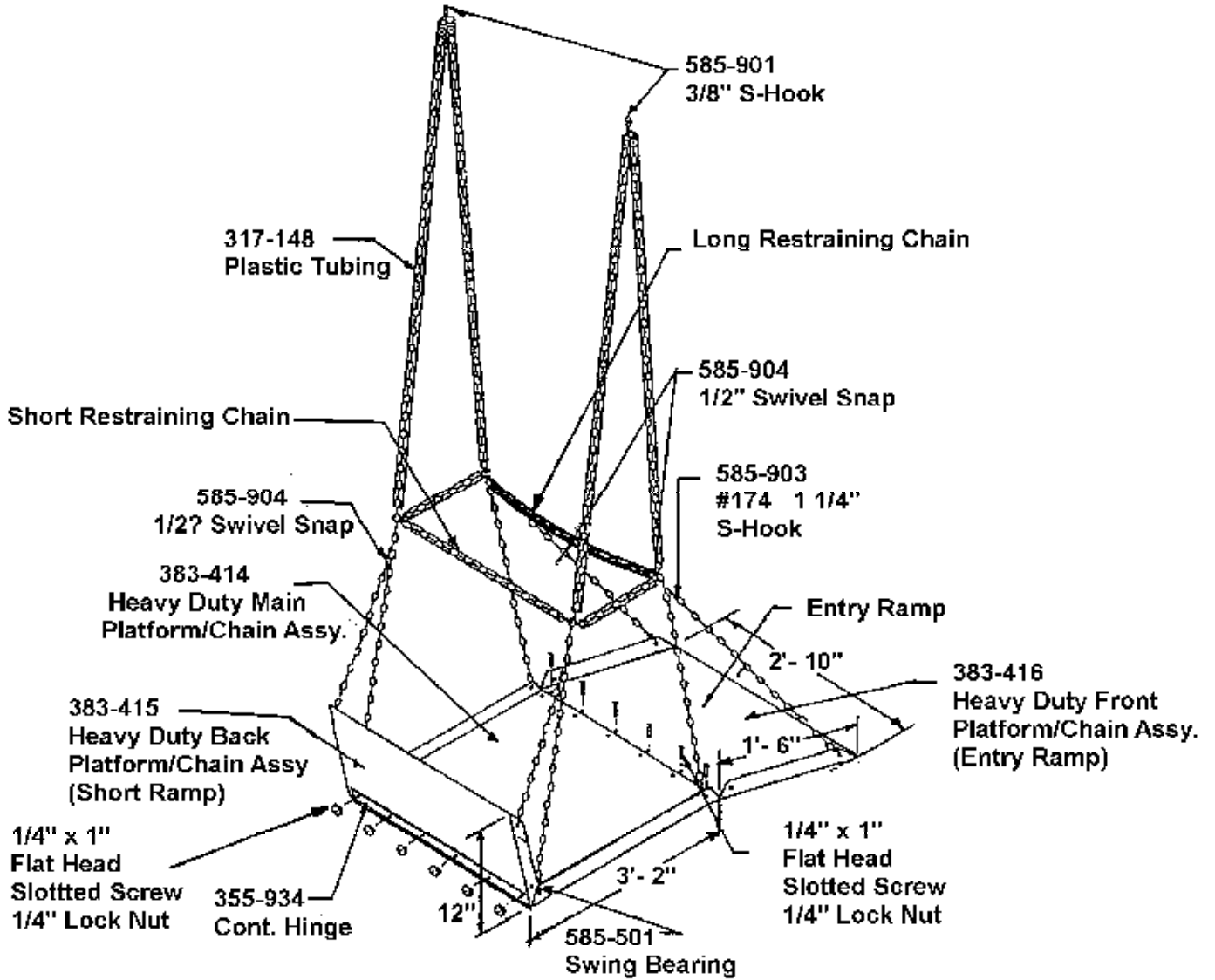
STEP #4: Stand swing upright & brace legs in footing holes. Prop wheelchair platform so that bottom of main platform is approximately 2" above the intended level of resilient surfacing.

STEP #5: Plumb and level entire unit. Tighten all nuts & Bolts until lock washers are flat. Use short length of pipe on end of socket Key to add leverage when tightening Socket Set Screws. DO NOT OVERTIGHTEN nuts securing eyebolt to swing hanger. Hanger MUST move freely!!! Pour Concrete. Dome top of cement for proper drainage. Wait 48 hours before removing braces, applying resilient surfacing and using equipment.

STEP #6: Attach Warning and Manufacturer's Identification Labels to a clean surface. The labels should be attached in a location where they are clearly visible and legible and away from normal hand and foot placement areas. The labels must be replaced if they become illegible, destroyed or removed. Contact your distributor for replacement labels.

**NOTE:** This event is intended for use ONLY under adult supervision. When not in use, be sure to secure platform to the frame to prevent misuse.

382-408 HEAVY DUTY WHEELCHAIR SWING PLATFORM



**382-408 HEAVY DUTY WHEELCHAIR SWING PLATFORM**

**ASSEMBLY AND INSTALLATION:**

**NOTE:** If the Wheelchair Swing Platform is to be used in an open park or playground installation, we recommend some system of supervisions whereby management removes the Swing Platform, or secures it to the nearest support, to prevent unsupervised misuse of the equipment.

- STEP #1: Attach ramps to Platform using Flat Head Screws and Lock Nuts to secure Platform Hinges to ramps.
- STEP #2: Position Entry Ramp in the direction of normal wheelchair access.
- STEP #3: Hang Platform from existing Swing Hangers so that bottom of Main Platform is approximately 4" off the ground.
- STEP #4: Position Pull Chain Attachment, if purchased for use with the Platform, so the Pull Chain hangs on the Short Ramp side.
- STEP #5: Attach chains of Short Ramp at approximately a 45-degree angle to Platform.
- STEP #6: Attach long chains at end of the Entry Ramp to chains supporting platform so that the ramp hits the ground.

382-408 HEAVY DUTY WHEELCHAIR SWING PLATFORM

**Important Information About This Product:**

Operational Instructions:

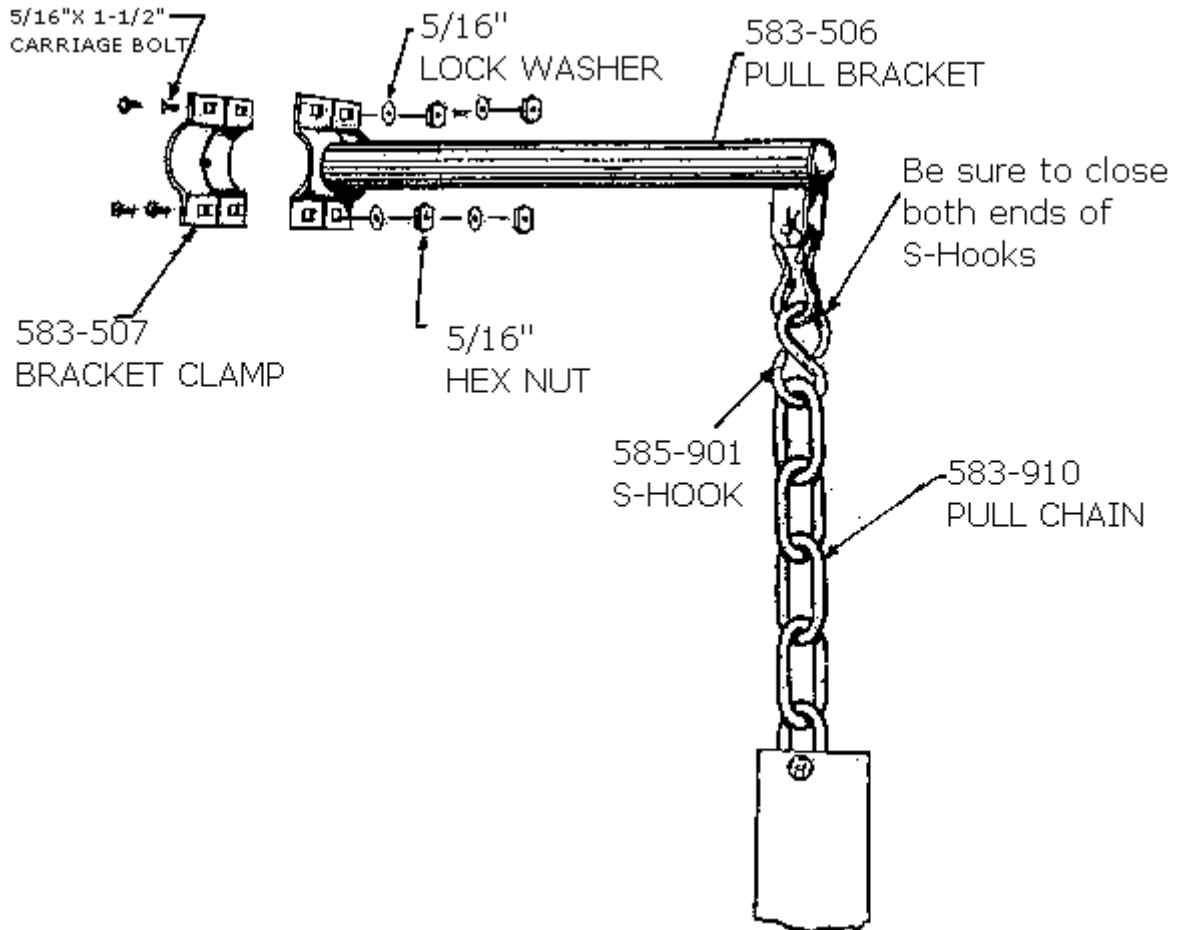
1. Two people must be present to get the platform in to an operational position.
2. One person must hold the platform in position while the other person is placing the wheelchair on the platform
3. The long restraining chain (see spec) must be unsnapped or removed before placing the wheelchair on to the platform
4. Once the chain is unsnapped or removed, then the front platform/chain assembly (see spec) must be unsnapped from the chain assembly and pulled down.
5. Once the front platform chain assembly is pulled down, the wheelchair should be placed or rolled on to the platform (handles facing long platform/chain assembly - see spec). **Note: Make sure the Wheelchair is in a locked position.** Only use the long entry ramp for entry and exit. If required, the short ramp in the rear may be secured with bolts; and for security reasons, this ramp should always be up in a locked position.
6. The front platform/chain assembly should be pushed back into its original position and snapped back on the chain assembly of the platform with the swivel snaps.
7. Finally, the long restraining chain should be placed or snapped back onto the chain assembly by using the swivel snaps. For added safety, the Long Restraining Chain can be positioned across the chest of the occupant. The Short Restraining Chain is then available as a "Hand Hold" for the occupant. Both Restraining Chains have Swivel Snap at both ends so they can be reversed or even removed if not needed.

Once the wheelchair platform is not in use, please note that two people will be needed when removing the wheelchair from the platform. Also note this unit must be secured to the swing frame with some type of security latch or lock to avoid accidents or misuse of the equipment when not under supervision. An example of such a security device would be a piece of chain wrapped around the swing frame post and wheelchair platform with a padlock attached to the chain to secure the unit. The weight capacity on this product is 700 lbs.

Note:

This page is only required if the optional 582-965 Pull Chain Attachment was purchased. If item was not purchased disregard this page.

**582-965 Pull Chain Attachment 2 3/8" OD**



**INSTALLATION INSTRUCTIONS:**

- STEP #1: Attach clamps to top rail of swing frame so the pull chain hangs in front wheelchair position users will normally face.
- STEP #2: Bottom of pull chain has a swivel snap for attaching the end to a chain of the wheelchair swing platform to hold it