

SPECIFICATIONS FOR RESIDENTIAL TIRE SWIVELS

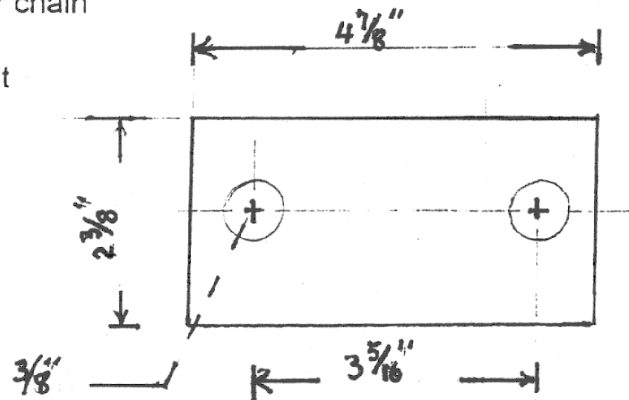
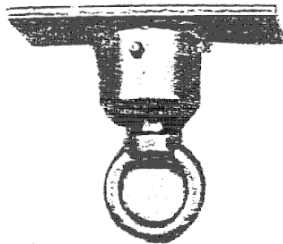
products conform to CPSC (Consumer Products Safety Commission) guidelines. Residential parts also comply with ASTM guideline F1148-93 Residential Play Equipment.

All products which have a part identification ending with a "R" are to be used in residential applications only. Under no circumstances should a residential part be used in a commercial application.

RESIDENTIAL

SH-02R

Description: Light Duty Tire Swivel
Single loop attachment for chain
Ball Joint Swivel
Grease Fitting at Ball Joint
2 - bolt attachment plate



SH-07R

Description: Medium Duty Tire Swivel
Three point attachment plate (see photo)
Ball Joint Swivel
Grease Fitting at Ball Joint
2 - bolt attachment plate

